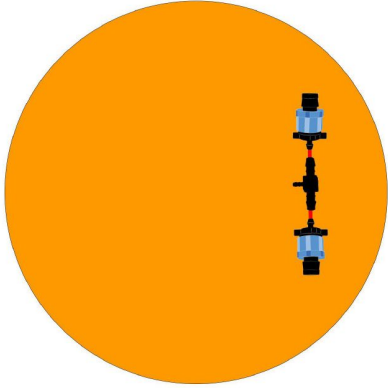
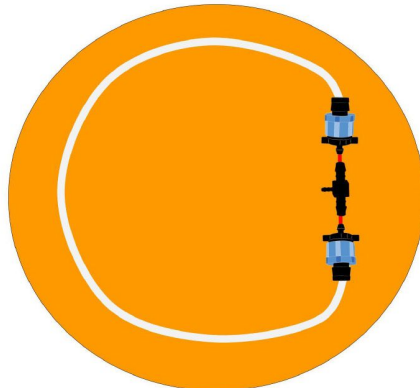




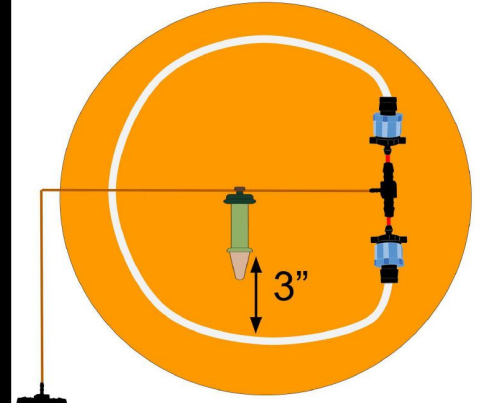
BLUSOAK PLANT RING INSTALLATION INSTRUCTIONS



STEP 1: Place the 3mm BlusOak Tee on the pot's surface.



STEP 2: Lay out the BlusOak, cutting it to make the appropriate ring size for your container. Due to variability in pot width extra BlusOak is included and the length can be cut to size. Then attach the blusOak to the fittings and stake in place. (Shown in figure 1)



STEP 3: Insert the Blumat sensor inside of the plant ring, placing it 3" away from the BlusOak hose.

Refer to Blumat Sensor Installation for Calibration Instructions

PLANT RING OVERVIEW

Water spreads out from the ring. As it moves down through the soil, it reaches the Blumat from all sides. (Figure 2 BELOW) The water is spread evenly throughout the pot, improving the blumat's accuracy. Even in larger pots, moisture conditions are kept identical throughout the entire container, unlike with drip emitters.

FIGURE 2

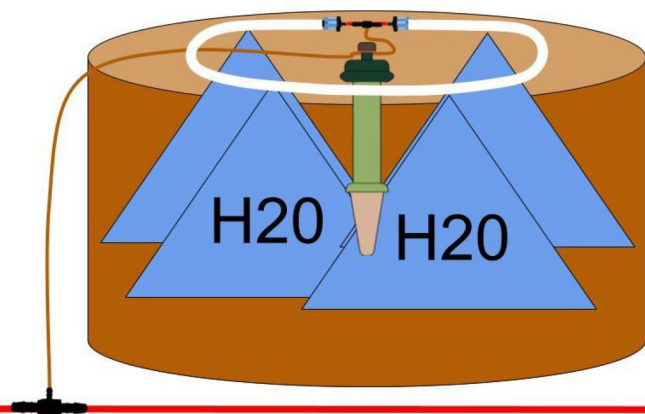


Figure 1

Attaching Fittings to BluSoak 2.0

1

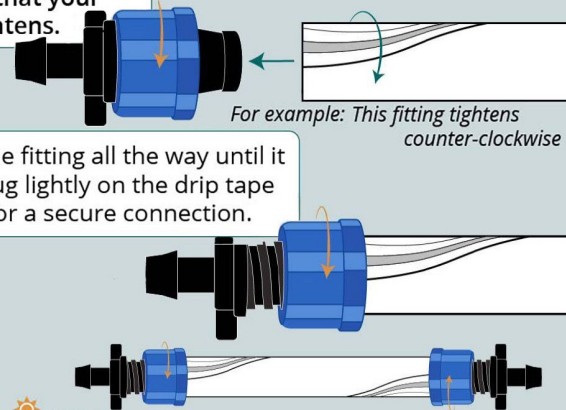
Fold the *Foldable Tab* tightly around the barb inside the Perma-Loc fitting in the same direction that your fitting tightens.



NOTE: The highlighted section is the "Foldable Tab"

2

Tighten the fitting all the way until it is snug. Tug lightly on the drip tape to check for a secure connection.



For example: This fitting tightens counter-clockwise

NOTE: When fittings are attached to both ends of the drip tape the Foldable Tab will be folded in opposite directions

Technical Assistance

Phone: 303-998-1323

Email: Info@sustainablevillage.com